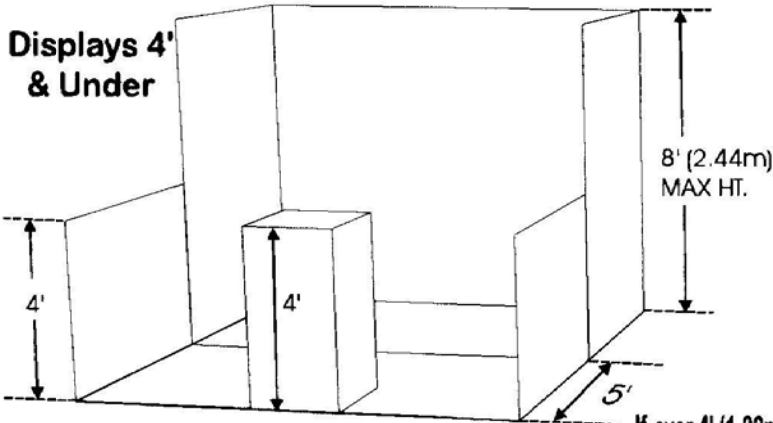


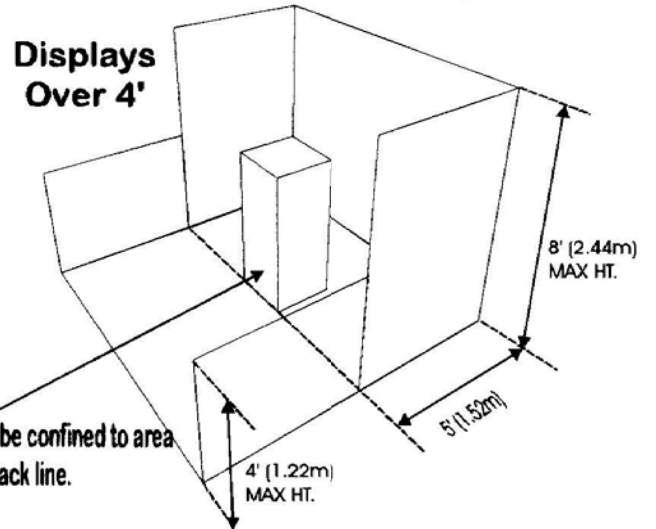
ACCEPTABLE IN-LINE BOOTH DIAGRAMS

STANDARD BOOTH

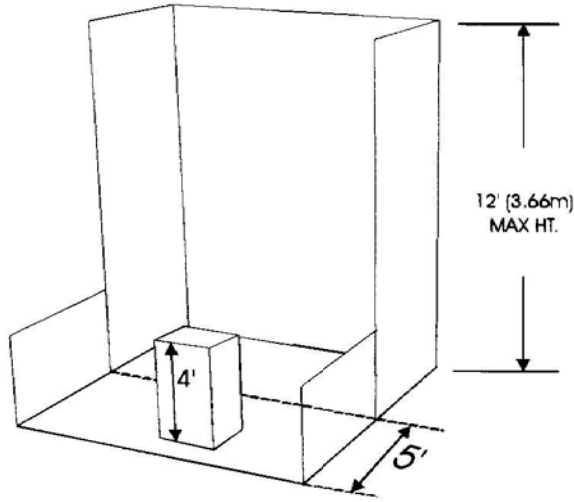


If over 4' (1.22m) high to be confined to area within 5' (1.52m) of the back line.

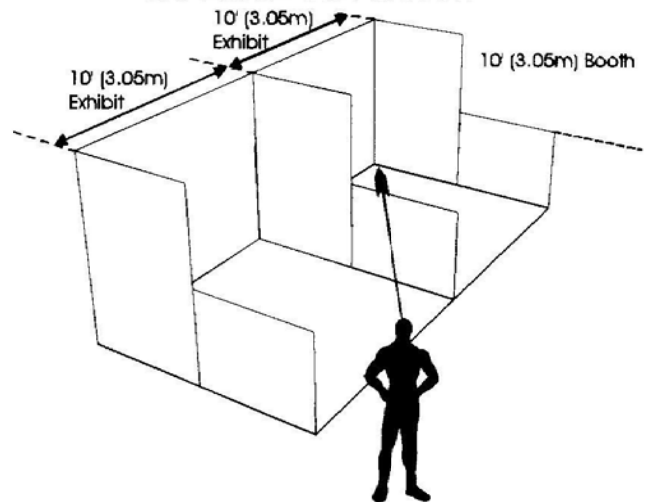
STANDARD BOOTH



PERIMETER WALL BOOTH



IN-LINE BOOTHS



UNACCEPTABLE BOOTH CONFIGURATION

This configuration is unacceptable in any booth under 30'. Sightlines for neighboring booths must be kept free.

